

**WVU DESIGN GUIDELINES & CONSTRUCTION STANDARDS**  
**DIVISION 32 – EXTERIOR IMPROVEMENTS**

---

**SECTION 322000 – OUTDOOR FURNITURE**

**PART 1: GENERAL**

1.1 Scope of Standard

- A. This standard provides general guidance concerning the specific preferences of the West Virginia University for outdoor furniture.
- B. Project conditions and requirements vary, thus precluding the absolute adherence to the items identified herein in all cases. However unless adequate written justification is provided, then it is expected that these guidelines will govern the design and specifications.

1.2 Reference Standards

- A. ADA requirements.

1.3 General Requirements

- A. All outdoor furniture should be secured and resistant to vandalism.
- B. All outdoor furniture should be skateboard resistant.
- C. All outdoor furniture should have a warranty against paint chipping for 2 years.

**PART 2: PRODUCTS**

2.1 Outdoor Furniture

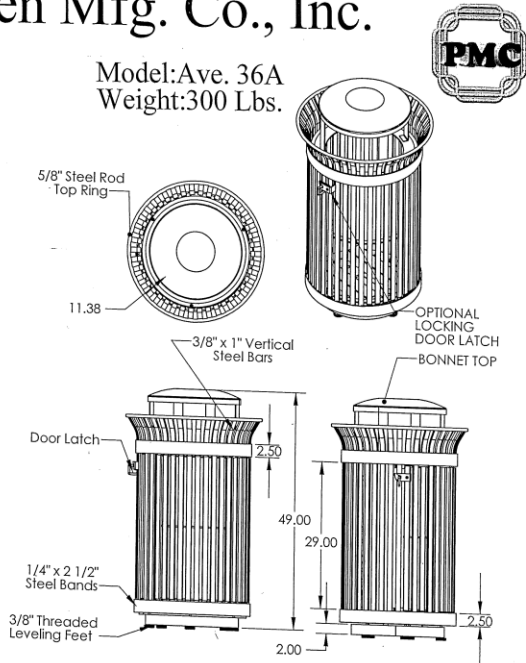
- A. Trash receptacles
  - 1. Trash receptacles shall be aesthetically compatible with other exterior furniture.
  - 2. Trash receptacles shall not have locks.
  - 3. Each trash receptacle shall have a plastic spill container on the inside that is easily removable.
  - 4. Trash can is capable of holding 39 gallon bags.
  - 5. Trash receptacles with a closed lid (rain bonnet) are preferred to minimize infiltration of rain water and insects.

**WVU DESIGN GUIDELINES & CONSTRUCTION STANDARDS**  
**DIVISION 32 – EXTERIOR IMPROVEMENTS**

---

6. WVU Preferred styles:  
a. Petersen AVE36 28" x 41 3/4"

Petersen Mfg. Co., Inc.



**B. Benches**

1. Wood benches are not preferred.
2. Black wrought iron-look benches are preferred.
3. Benches must be secured to a concrete pad instead of pavers.
4. Benches should not interfere with circulation pedestrian walkways and maintenance equipment.
5. Benches should have arms to prevent skateboarding
6. WVU preferred styles:

**WVU DESIGN GUIDELINES & CONSTRUCTION STANDARDS**  
**DIVISION 32 – EXTERIOR IMPROVEMENTS**

---



Landscape Forms – Scarborough



Sitescapes - CityView



Keystone Ridge - Pullman

C. Tables

1. All tables shall be secured to a hard surface or concrete slab.
2. Chairs must be attached to tables.
3. Wood picnic tables are prohibited. WVU prefers a composite or metal material. Perforated seats for rain drainage are preferred. Black finish is preferred, all other color selections to be approved by WVU.
4. Tables must comply with ADA guidelines
5. WVU preferred styles:

**WVU DESIGN GUIDELINES & CONSTRUCTION STANDARDS**  
**DIVISION 32 – EXTERIOR IMPROVEMENTS**

---



Landscape Forms – Carousel (Mountainlair Plaza)



Summit Supply - Picnic Table

D. Bike Racks

1. All bike racks shall be secured to a concrete slab.
2. WVU prefers stainless steel finish for bike racks.
3. Racks shall be specified with outdoor finishing process.
4. Racks shall be under warranty.
5. Dimensions to be: 23" wide x 42" h, radius 9"
6. WVU preferred style:



Inverted U Shape Bike Rack

**END OF SECTION 322000**